

MAR 308

Modular Ice Machine up to 2450 kg

Item #:
Project:
Quantity:



FEATURES

- Scale ice machine, in "split system" version; built-in unit. Storage bin not supplied, to be purchased separately.
- To be connected to condensing unit or central cooling system (low temperature).
- AISI304 Stainless steel evaporator and ice scraper blade. Redesigned evaporator compartment end-walls.
- Redesigned evaporator compartment end-walls, electromechanical control panel.
- Electromechanical control panel. Electrical protections, rotation speed & reverse phase controls.
- Low- water sensor protection. Storage bin thermostatic ice level sensor. Drive motor / gear reducer with V-Belt drive.
- Stainless steel panels in scotch-brite finish, with rounded corners, easy to remove for maintenance.
- Supplied w/expansion valve, solenoid valve, pressure regulating valve (KVP), heat exchanger.



MAR 308
Scale ice
Residual water content 2%
Thickness 1 or 2 mm

CONDENSING SYSTEM

SPLIT

REFRIGERANT GAS

R404A

VOLTAGE V/Hz/ph

230/60/1
230/60/3
400/50/3N

RECOMMENDED BINS

Head	Bins	kg
	● UBH1600	812
MAR 308	● UBH2250	1068
	● SIS1350	613 + 73 + 73

LEGEND:

- ✓ : Perfect combination between ice maker and bin
- : Ice chute cut-out performed upon installation
- CBTxxxxxxx : need additional bin top

Certifications:



OPERATING REQUIREMENTS

	Minimum	Maximum
Air temperature	10°C	43°C
Water temperature	5°C	38°C
Water pressure	1 bar (14 psi)	5 bar (70 psi)
Electrical voltage	-10%	+10%

IMPORTANT NOTICE:
Models and specifications are subject to change without notice. This spec sheet is meant for commercial purpose only. For technical documentation please refer to our service manuals.

Download our free **App Scotsman Ice**
Apple store
Google play
Windows store



www.scotsman-ice.it
www.scotsman-ice.com

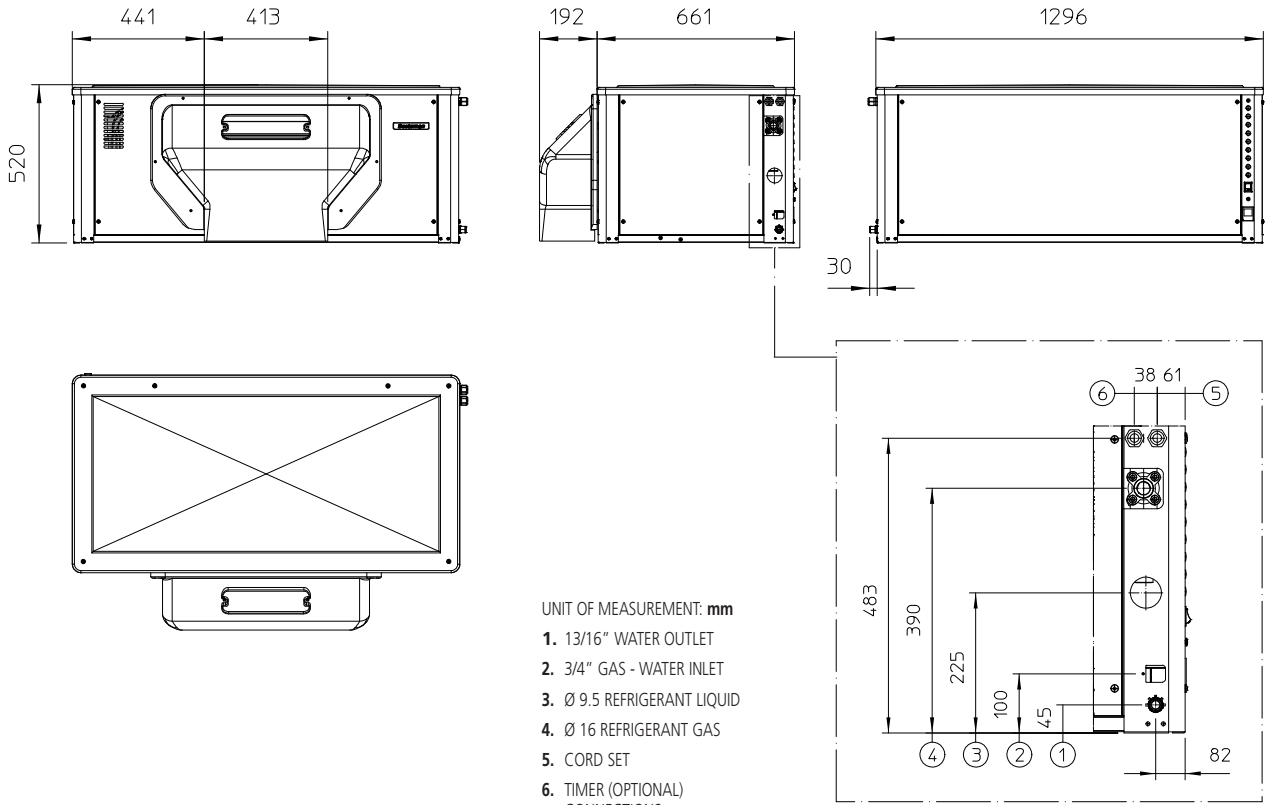
Modular Ice Machine up to 2450 kg

MAR 308

Modular Ice Machine up to 2450 kg

Item #:
Project:
Quantity:

Modular Ice Machine up to 2450 kg



UNIT OF MEASUREMENT: mm

1. 13/16" WATER OUTLET
2. 3/4" GAS - WATER INLET
3. Ø 9.5 REFRIGERANT LIQUID
4. Ø 16 REFRIGERANT GAS
5. CORD SET
6. TIMER (OPTIONAL) CONNECTIONS

UNIT DATA			Cooling Requirements (T _e -30°C ; T _c +40.0°C)				Circuit wires		Max. fuse size			
			Version	Voltage	Btu/h	W	No.	Ømm ²	A			
Size (W x D x H)	1326 x 676 x 520 mm		MAR 308 SPLIT	400/50/3N	39069	11450	5	2.5	10			
Net weight	175 kg		MAR 308 SPLIT	230/60/1	39069	11450	3	2.5	10			
SHIPPING DATA			MAR 308 SPLIT	230/60/3	39069	11450	5	2.5	10			
			Carton (W x D x H)	1410 x 790 x 680 mm								
Weight	199 kg											
			24 h ice production kg °C Amb. / °C Water				Energy consumption (*)		Water usage(*)	Instant power		
Version	Condensation	Voltage	10°C/10°C		21°C/10°C		32°C/21°C		kWh/100 kg	kWh/24h	l/h	W
			1 mm	2 mm	1 mm	2 mm	1 mm	2 mm				
MAR 308 SPLIT	SPLIT	400/50/3N	2450	2200					1.2	9.6	68.8	395
MAR 308 SPLIT	SPLIT	230/60/1	2450	2200					1.2	9.6	68.8	395
MAR 308 SPLIT	SPLIT	230/60/3	2450	2200					1.2	9.6	68.8	395

(*) Data refer to 32°C Amb. / 21°C Water temperature conditions