

MAR 208 SPLIT

Modular Ice Machine up to 1580 kg

| |
|-----------|
| Item #: |
| Project: |
| Quantity: |



FEATURES

- Scale ice machine, in "split system" version; built-in unit. Storage bin not supplied, to be purchased separately.
- To be connected to condensing unit or central cooling system (low temperature).
- AISI304 Stainless steel evaporator and ice scraper blade. Redesigned evaporator compartment end-walls.
- Redesigned evaporator compartment end-walls, electromechanical control panel.
- Electromechanical control panel. Electrical protections, rotation speed & reverse phase controls.
- Low- water sensor protection. Storage bin thermostatic ice level sensor. Drive motor / gear reducer with V-Belt drive.
- Stainless steel panels in scotch-brite finish, with rounded corners, easy to remove for maintenance.
- Supplied w/expansion valve, solenoid valve, pressure regulating valve (KVP), heat exchanger.



MAR 208 SPLIT
Scale ice
Residual water content 2%
Thickness 1 or 2 mm

CONDENSING SYSTEM

SPLIT

RECOMMENDED BINS

| Head | Bins | | kg |
|---------------|------|---------|---------------|
| MAR 208 SPLIT | ● | UBH1600 | 812 |
| | ● | UBH2250 | 1068 |
| | ● | SIS1350 | 613 + 73 + 73 |

REFRIGERANT GAS

R404A

VOLTAGE V/Hz/ph

230/60/1
400/50/3N

LEGEND:

- ✓ : Perfect combination between ice maker and bin
- : Ice chute cut-out performed upon installation
- CBTxxxxxxxx : need additional bin top

Certifications:



OPERATING REQUIREMENTS

| | Minimum | Maximum |
|--------------------|----------------|----------------|
| Air temperature | 10°C | 43°C |
| Water temperature | 5°C | 38°C |
| Water pressure | 1 bar (14 psi) | 5 bar (70 psi) |
| Electrical voltage | -10% | +10% |

IMPORTANT NOTICE:
Models and specifications are subject to change without notice. This spec sheet is meant for commercial purpose only. For technical documentation please refer to our service manuals.

Download our free **App Scotsman Ice**
Apple store
Google play
Windows store



www.scotsman-ice.it
www.scotsman-ice.com

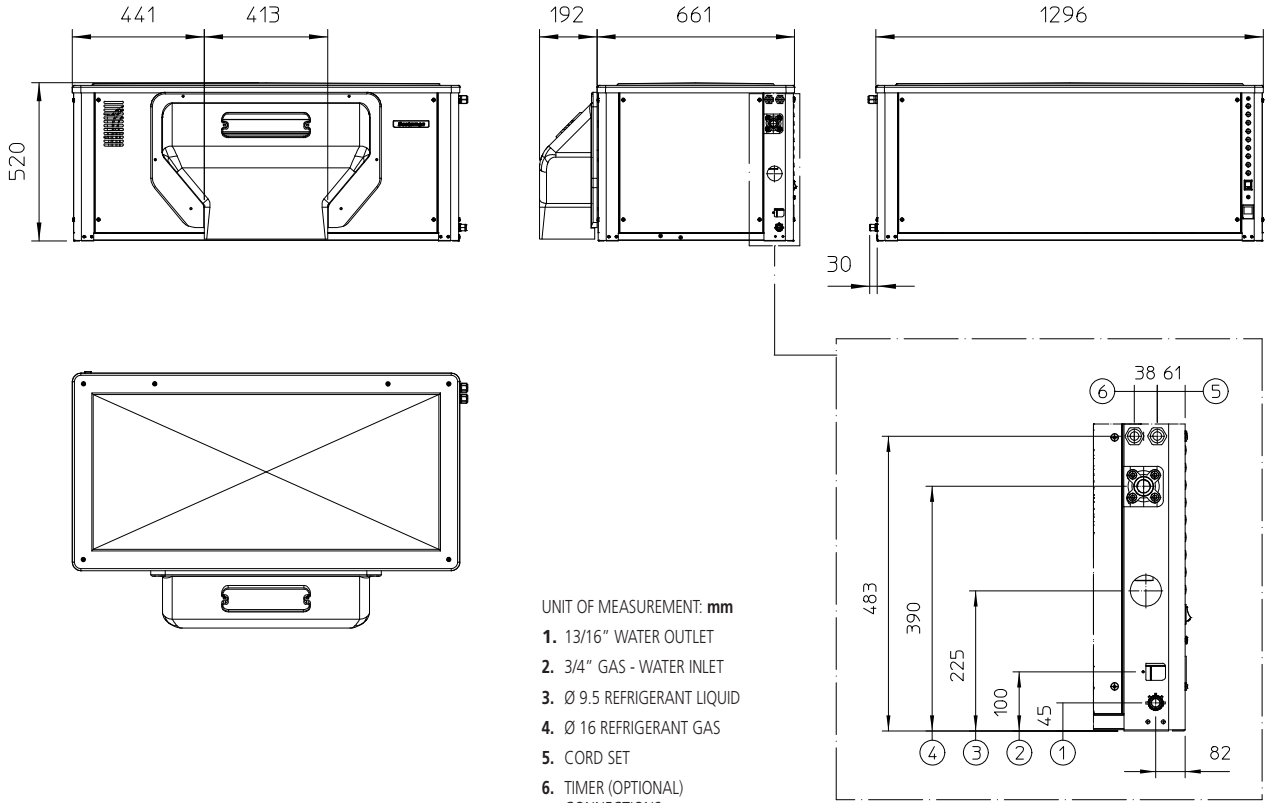
Modular Ice Machine up to 1580 kg

MAR 208 SPLIT

Modular Ice Machine up to 1580 kg

| |
|-----------|
| Item #: |
| Project: |
| Quantity: |

Modular Ice Machine up to 1580 kg



| UNIT DATA | | | Cooling Requirements (Te -20°C ; Tc +40.0°C) | | | | Circuit wires | | Max. fuse size | | | |
|------------------|---------------------|-----------|---|---------------------|-----------|------|---------------|------------------|------------------------|---------|----------------|---------------|
| | | | Version | Voltage | Btu/h | W | No. | Ømm ² | A | | | |
| Size (W x D x H) | 1326 x 676 x 520 mm | | MAR 208 SPLIT | 400/50/3N | 33610 | 9850 | 5 | 2.5 | 10 | | | |
| Net weight | 175 kg | | MAR 208 SPLIT | 230/60/1 | 33610 | 9850 | 3 | 2.5 | 10 | | | |
| SHIPPING DATA | | | | | | | | | | | | |
| | | | Carton (W x D x H) | 1410 x 790 x 680 mm | | | | | | | | |
| Weight | 199 kg | | | | | | | | | | | |
| | | | 24 h ice production kg °C Amb. / °C Water | | | | | | Energy consumption (*) | | Water usage(*) | Instant power |
| Version | Condensation | Voltage | 10°C/10°C | | 21°C/10°C | | 32°C/21°C | | kWh/100 kg | kWh/24h | l/h | W |
| | | | 1 mm | 2 mm | 1 mm | 2 mm | 1 mm | 2 mm | | | | |
| MAR 208 SPLIT | SPLIT | 400/50/3N | 1580 | 1422 | 1540 | 1386 | 1300 | 1170 | 1.2 | 9.6 | 54.2 | 395 |
| MAR 208 SPLIT | SPLIT | 230/60/1 | 1580 | 1422 | 1540 | 1386 | 1300 | 1170 | 1.2 | 9.6 | 54.2 | 395 |

(*) Data refer to 32°C Amb. / 21°C Water temperature conditions