

# SCOTSMAN

SPEEDY-FILL ICE BAGGER



## B G S 1 0

### MAXIMIZE YOUR PROFITS FROM BAGGED ICE

- Saves time...bag-a-bag in seconds.
- Forget the mess...ice is scooped into bags without spilling.
- Features easy to use bag sealer.
- Simple design...BGS10 hooks over any ice bin opening. Can be attached to either side for right or left hand operation.

### KIT INCLUDES

- Speedy-Fill Ice Bagger
- Tape Dispenser (Sealer)
- 1 Roll of Tape, 180 ft. (Will seal approx. 850 bags of ice)
- 1 Wicket of Ice Bags (250)
- Bracket to hook bagger onto bin
- 1 Ice Scoop

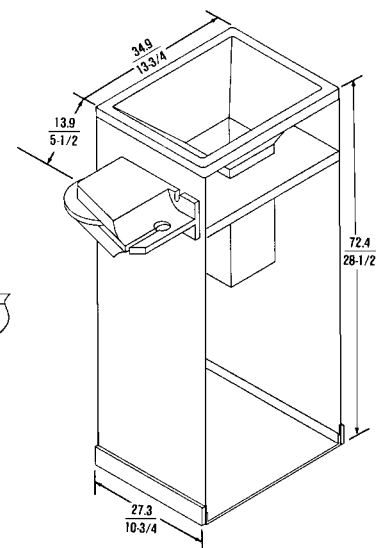
To order extra bags – Order KBAG (By Case Only) 4 wickets of 250 bags = 1000 bags

### WARRANTY *See your dealer for complete warranty details.*

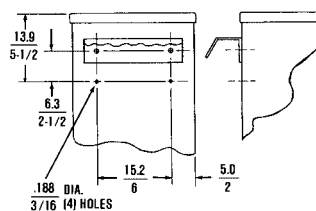
- 2 years factory labor.
- 2 years on all parts.

### Specifications:

- Height: 28.5"
- Width: 19.25"
- Depth: 10.75"



### CENTIMETERS INCHES



Consult Your Local SCOTSMAN Representative At:

**YOU'LL VALUE THE DIFFERENCE™**

775 Corporate Woods Parkway • Vernon Hills, IL 60061 • (847)215-4500 • Fax: (847) 913-9844  
Visit our website at: [www.scotsman-ice.com](http://www.scotsman-ice.com) • E-mail: [customer.service@scotsman-ice.com](mailto:customer.service@scotsman-ice.com)

 **Scotsman®**